



Lion Summit™

User Manual

665 Watt Hours (Wh) / 530 Watts (W)
Lithium Iron Phosphate Solar Generator





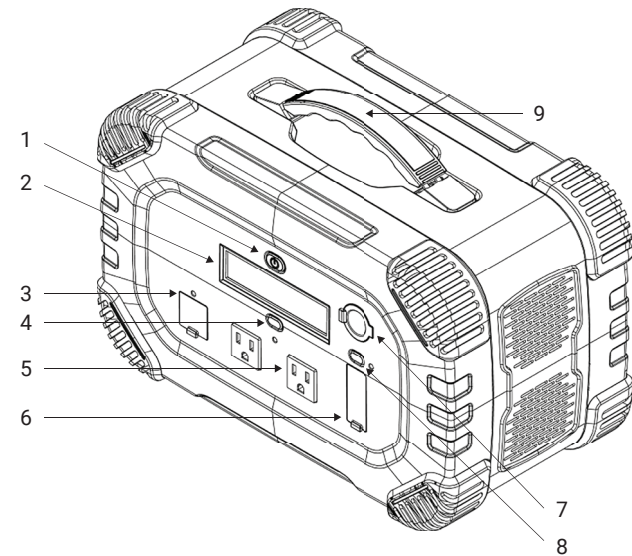
READ THIS MANUAL IN ITS ENTIRETY BEFORE OPERATING THE LION SUMMIT.

The Lion Summit provides safe, silent, and renewable electric power. The Lion Summit is useful in emergencies, and for work and play. It is very important to read the entire user manual before using the product.

Carefully read and strictly follow these safety rules:

- For better performance, fully charge the Lion Summit before using it.
- Do not insert fingers or hands into any of the Lion Summit's outlets.
- Only use the recommended Lion Energy™ accessories.
- Do not use the Lion Summit if the cables or charging adapters show signs of damage.
- Never try to alter the Lion Summit, cables, or accessories.
- Do not allow water to contact the Lion Summit or immerse it in water.
- Do not run the Lion Summit in the presence of flammable liquids, gases, or excess dust.
- Do not expose or store the Lion Summit to excessive heat (above 115 ° F).
- Do not leave the Lion Summit out in direct sunlight in higher temperatures.
- Store the Lion Summit at temperatures from 14° to 115° F (ideally, 32°-86° F)
- Charge at temperatures ranging from 32° to 115° F.
- Never charge a frozen Lion Summit. Let it warm up above freezing before charging.
- Never leave the Lion Summit unattended while charging.

Parts Identification



	Part	Description
1	Main Power Switch	Turns the Lion Summit display on or off by pressing and holding for several seconds
2	LCD Screen	Displays charge / discharge time at the interval of 0.1 hours. 10 bars = fully charged
3	Input Charging Port	Where the solar, auto, and wall charger are plugged in to charge the Lion Summit
4	AC Output ON / OFF Button	Turns the AC ports on or off
5	AC Output Outlet	Supplies AC output from the outlet
6	USB-A, USB-C and USB-PD Output	Charges USB Device
7	12V Output Socket	Supplies DC power from the socket
8	DC Output ON / OFF Button	Turns the DC ports on or off
9	Carry Handle	Used to carry the Lion Summit

Package Contents

Lion Summit: 1 pc
 DC Charging Cable: 1 pc
 Wall Charger Adapter (150W): 1 pc

How to Use the Lion Summit

Follow these steps to turn the Lion Summit on or off:

1. Press and hold the Main Power Switch for 1-2 seconds to turn the Lion Summit on. The display will light up.
2. Press the DC or AC power button to turn the ports / outlets on and the Lion Summit will supply power to the DC or AC outlet.

When you stop using energy from any port, outlet or socket, turn off the corresponding on / off button to conserve energy in the Lion Summit.

How to charge the Lion Summit

There are several ways to charge the Lion Summit:

- **Charge from a wall outlet:** Insert the Anderson™ compatible connector* into the input port of the Lion Summit (red to red and black to black connection). Plug the other end of the wall charger into a wall outlet.
- **Charge from our 12V 100W solar panel:** Insert the Anderson™ compatible end of the longer cord from the back of the solar panel to the input port on the front of the Lion Summit (red to red and black to black connection). The solar panel needs to be outside in direct sunlight.
- **Charge from our 12V 50W foldable solar panel:** (The 50W panel has a barrel cord connection, but it includes an Anderson™ compatible adapter.) Attach the adapter to the barrel connector on the solar panel cord and then place the Anderson™ compatible end into the input port on the front of the Lion Summit (red to red and black to black). The solar panel needs to be outside in direct sunlight.
- **Optional – You can also attach one (or more) of our Anderson™ compatible 25' extension cables between the solar panel and the Lion Summit.** The end of the cable with the attached warning / white label needs to connect to the solar panel / solar panel cord. The other end goes into the input port on the Lion Summit.
- **Charge from a vehicle's 12V socket:** Insert the Anderson™ compatible connector (red / black) end of the 12V cable into the Input port on the Lion Summit. Plug the 12V end of the cable into the 12V socket in the vehicle. The vehicle must be running for the 12V to charge the Lion Summit.

*Anderson™ is a registered trademark of Anderson Power Products.

Frequently Asked Questions

Q: What devices can the Lion Summit power?

A: The Lion Summit can power various things like lights, cell phones, laptops and more. The energy consumption of each device is measured in watts. The Lion Summit can power devices that need a total of 530W or less. It can power multiple devices at the same time if the total power usage for all the devices combined is 530W or less.

Q: How long will the Lion Summit last or run / power a device?

A: It depends on the energy consumption or watt usage of the device; the lower the device's wattage, the longer the Lion Summit can power it. To estimate how long the Lion Summit could power a specific device, use this formula: Watt Hours / Watts = Estimated Run Time. For instance, if the device you want to power uses 45W and the Lion Summit has a 665Wh capacity, then the estimated run time would be: 665Wh divided by 45W = 14.78 hours.

Q: Is the DC 12V socket regulated?

A: The Lion Summit does not have a regulated 12V DC output. However, since this model uses LiFePO4, instead of NMC, this gives a more stable and consistent 12.8V output.

Q: What if I forget to turn off the Lion Summit after I use it?

A: The Lion Summit will automatically turn itself off to conserve energy if there is nothing plugged in / drawing energy.

Q: Do I have to use Lion Energy solar panels?

A: You can use other 12V solar panels with the Lion Summit. However, if the panels do not have an Anderson™ compatible connection on the solar panel cable, you will need to find and buy an adapter with an Anderson™ connector.

Q: How many solar panels can I connect to the Lion Summit, so it charges more quickly?

A: The Lion Summit's MPPT solar charge controller is rated for 150W of solar energy. If using multiple solar panels, we recommend using 12V panels with the same wattage (100W+100W or 50W+50W+50W, not 100W+50W).

Troubleshooting

Q: What if I can't power my AC or DC devices after I turn on the Lion Summit?

A: Make sure the AC or DC on / off button is turned on. Remember, devices that require more than 530W cannot be powered by the Lion Summit.

Q: Why can't I turn my Lion Summit on?

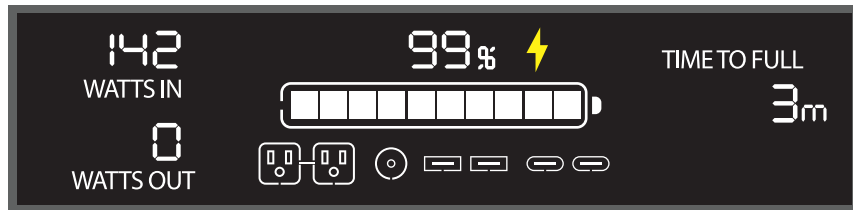
A: If you have not used the Lion Summit for some time, you may need to recharge the Lion Summit before you can use it.

Q: The wall charger gets hot while charging the Lion Summit. Is anything wrong?

A: The wall charger for the Lion Summit is safety certified. The charger may get warm, this is normal. Please have the charger in the open air and not under anything like blankets or clothes.

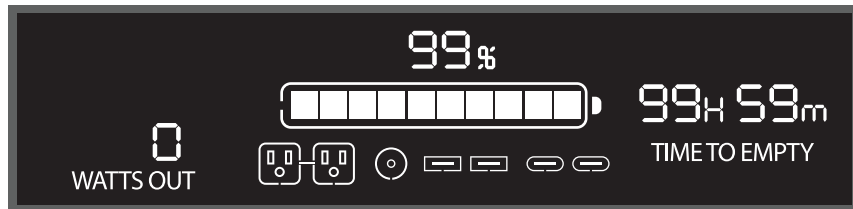
Q: What does the Lion Summit display normally show when the Lion Summit is charging?

A: When charging the Lion Summit using DC or AC or with solar panels in strong direct sunlight, the display can show the following information:



Q: What does the Lion Summit display show while being charged with little or weak sunlight?

A: When you charge the Lion Summit with a solar panel under very weak sunlight, the display may show:

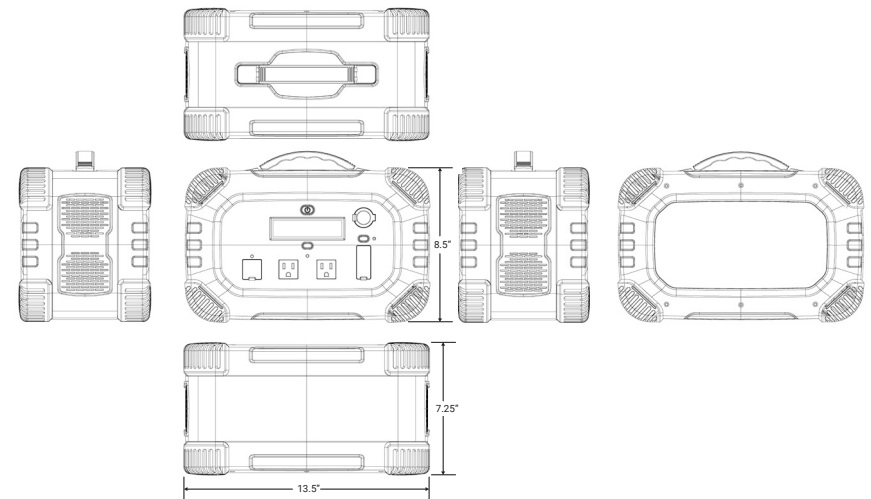


When solar power is too weak to charge the Lion Summit, the display will not show any watts in. Cloudy days, shade and sunlight through a window provides too low of input, this is normal. You may need to charge in stronger sunlight or by AC or DC power.

Battery Safety

The Lion Summit includes over-voltage, low-voltage, overload, short-circuit, and over-temperature protections. It also has built-in visual and audio alarms. For instance, the Lion Summit will chirp and have a blinking red light on the screen if a device that uses too much power, is plugged in, or if the Lion Summit becomes too hot and needs to cool down. Waiting and / or shutting the Lion Summit off and back on will resolve most errors. The overload circuitry protects against damage to the Lion Summit and also serves as a safety measure for anyone using the Lion Summit.

Mechanical Design (inches)



Charging Method	Charging Time
50W Solar Panel	Charging time depends on the directness and brightness of sunlight, usually 8-12 hours
100W Solar Panel	Charging time depends on the directness and brightness of sunlight, usually 4-6 hours
Wall Charger	4-5 Hours
12V DC Socket	4.5-7 Hours

Technical Specifications

AC Charging Input Voltage

1	Input Voltage Range	100 ~ 240V
---	---------------------	------------

Solar Charging Input

1	Input Voltage Range	13 ~ 22V
2	Max Input Current	10A
3	Input Wattage	150W

2x USB-A Output

1	Output Voltage	5V
2	Output Current	2.4A (Max)
3	Output Overcurrent Protection	2.7A
4	Output Short Circuit Protection and Disconnection Load Recovery	YES

2x USB-C Output (QC3.0 and PD)

1	Output Voltage Range	5V / 9V / 12V / 15V / 20V
2	Output Current	3A / 3A / 3A / 3A / 3A
3	Output Overcurrent Protection	3A
4	Output Short Circuit Protection and Disconnection Load Recovery	YES

12V Socket

1	Max Output	12V, 10A
2	DC Output Short Circuit Protection	Yes (Disconnect load recovery)
3	DC Output Overcurrent Protection	Yes (Disconnect load recovery)

Technical Specifications

Battery Type

1	Lithium Iron Phosphate	LiFePO4
---	------------------------	---------

Inverter Power Supply

1	Rated Output Voltage / Frequency	120V AC 60Hz
2	Rated Output Power	530W Continuous
3	Inverter Efficiency	90%
4	Output Wave	Pure Sine Wave

Environment

1	Working Temperature	32°F - 104°F
2	Storage Temperature	Room Temperature (14°F - 113°F)
3	Cooling Method	Active (Powered Fans)

Weight

1	Weight	18 LBS
---	--------	--------

Connectivity

1	Bluetooth	Visit - myapp.LionEnergy.com
---	-----------	--

Maintenance Instructions

- Charge the Lion Summit after each use to ensure you have power whenever needed.
- Never completely discharge the Lion Summit to help maintain battery lifespan
- Use a dry cloth to wipe away any dirt or other debris from the Lion Summit's surface and battery cords.
- Do not open the Lion Summit as there are no user-serviceable parts. Any servicing should be performed by Lion Energy personnel.

Storage Instructions

- Charge the Lion Summit to full capacity before storing it.
- Store this Lion Summit at room temperature.
- For best results, use and recharge at least once every 6 months. This helps maintain the Lion Summit's battery lifespan.

Recycling

This item contains a lithium iron phosphate battery, please recycle properly.

Copyright

This material is copyrighted under US Federal Law. No part of this publication is reproducible—in any form or by any means, electronic or mechanical, including photocopying—without express written permission from Lion Energy.

Lion Energy reserves all rights to make technical modifications without advance notice, and to improve machine and safety standards.

This manual is for the purpose of supplying information, specifications, and usage instructions. All statements, information, and suggestions within this manual do not constitute any express or implied warranty.

Warranty Claims

For warranty issues, contact Customer Service at 1-385-375-8191. Do not ship your Lion Summit until you receive a return merchandise authorization (RMA) number. Lion Energy will not be responsible for any shipping or handling damage. Often, replacements are not sent until the original Lion Summit is en-route to our warehouse.

Limited Warranty

This Lion Summit comes with a one-year limited warranty from defects in materials and workmanship. Save your proof of purchase, such as a dated receipt, to show warranty period. Without a dated receipt, we will use the manufacturing dated code. Lion Energy will repair or replace the Lion Summit at their discretion.

This warranty is invalidated if any of the following occurs, but not limited to:

- Failure to follow the instructions in the User's Manual.
- Accidental or unreasonable use, misuse or mishandling.
- Overcharging or overloading.
- Extended storage without recharging.
- Repairs by an unauthorized person or any modification.

This warranty is in lieu of other expressed warranties. Lion Energy will not be liable for consequential or incidental damages. Changes or modifications not expressly approved by Lion Energy could void the user's authority to run the Lion Summit.

NOTE: The Lion Summit has been tested and found to comply with the limits for a Class B digital device, pursuant to part 15 of the FCC Rules. Operation is subject to the following two conditions:

(1) The Lion Summit may cause harmful interference, and (2) the Lion Summit must accept any interference received, including interference that may cause undesired operation. These limits are designed to supply reasonable protection against harmful interference in a residential installation. The Lion Summit generates, uses, and can radiate radio frequency energy and, if not installed and used in accordance with the instructions, may cause harmful interference to radio communications. However, there is no guarantee that interference will not occur in a particular installation. If the Lion Summit does cause harmful interference to radio or television reception, which can be decided by turning the Lion Summit off and on, the user is encouraged to try to correct the interference by one or more of the following measures:

- Reorient or relocate the receiving antenna.
- Increase the separation between the Lion Summit and receiver.
- Connect the Lion Summit into an outlet on a circuit different from that of the receiver.
- Consult the dealer or an experienced radio / TV technician for help.

Service Address

Lion Energy
735 S. Auto Mall Drive Suite 200
American Fork, UT 84003

Website: www.LionEnergy.com
Email: info@lionenergy.com
Telephone: 1-385-375-8191



LEA ESTE MANUAL EN SU TOTALIDAD ANTES DE OPERAR EL LION SUMMIT.

Este Lion Summit portátil proporciona energía eléctrica segura, silenciosa y renovable. El Lion Summit es útil en emergencias y para trabajar y jugar. Es muy importante leer todo este manual de usuario antes de utilizar el producto.

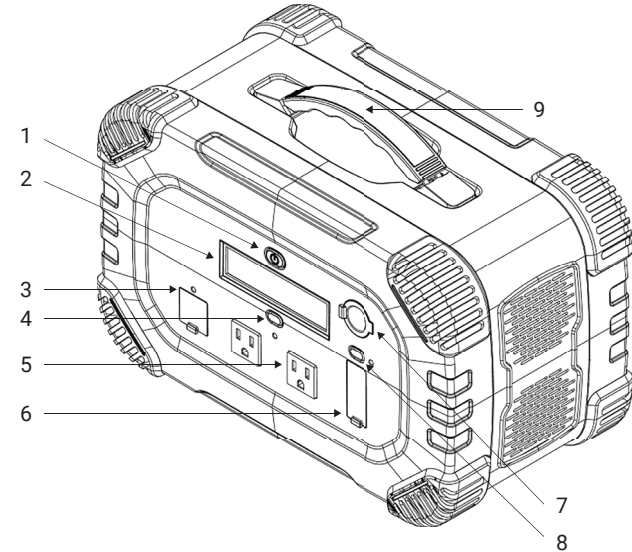
Lea atentamente y siga estrictamente estas normas de seguridad:

- Para un mejor rendimiento, cargue completamente la unidad antes de usarla.
- No introduzca los dedos ni las manos en ninguna de las salidas de Lion Summits.
- Utilice únicamente los accesorios Lion Energy™ recomendados.
- No utilice Lion Summit si los cables o los adaptadores de carga muestran signos de daño.
- Nunca intente alterar el Lion Summit, los cables o los accesorios.
- No permita que el agua entre en contacto con Lion Summit ni lo sumerja en agua.
- No haga funcionar el Lion Summit en presencia de líquidos, gases o polvo inflamables.
- No exponga ni almacene el Lion Summit a un calor excesivo (más de 115 °F).
- No deje el Lion Summit expuesto a la luz solar directa con temperaturas más altas.
- Almacene el Lion Summit a temperaturas de 14° a 115° F (idealmente, 32°-86° F)
- Cargue a temperaturas entre 32° y 115° F.
- Nunca cargue un Lion Summit congelado. Deje que se caliente por encima del punto de congelación antes de cargarlo.
- Nunca deje el Lion Summit desatendido mientras se carga.

Contenidos del paquete

Lion Summit: 1 pieza
 Cable de carga DC: 1 pieza
 Adaptador de cargador de pared (150 W): 1 pieza

Identificación de piezas



	Parte	Descripción
1	interruptor de alimentación principal	Enciende o apaga la pantalla Lion Summit al mantener presionado durante varios segundos
2	pantalla LCD	Muestra el tiempo de carga / descarga en intervalos de 0,1 horas. 10 barras = carga completa
3	Puerto de carga de entradas	Dónde se enchufan el cargador solar, de automóvil y de pared para cargar el Lion Summit
4	Botón de encendido / apagado de salida de AC	Enciende o apaga los puertos de AC
5	Salida de salida de AC	Suministra salida de AC desde el tomacorriente
6	salidas USB-A, USB-C and USB-PD	Carga dispositivo USB
7	Zócalo de salida de 12V	Suministra alimentación de DC desde el enchufe
8	Botón de encendido / apagado de salida de DC	Enciende o apaga los puertos DC
9	Asa de transporte	Solía llevar la Lion Summit

Cómo utilizar la Lion Summit

Activar o desactivar Lion Summit

Siga estos pasos para activar o desactivar Lion Summit:

1. Mantenga presionado el interruptor de encendido principal durante 1 o 2 segundos para encender el Lion Summit. La pantalla se iluminará.
2. Presione el botón de alimentación de DC o AC para encender los puertos / tomacorrientes y Lion Summit suministrará energía a la toma de DC o AC.

Cuando deje de usar energía del enchufe de salida de DC o AC, apague el botón de encendido/apagado correspondiente para conservar energía en el Lion Summit.

Cómo cargar el Lion Summit

Hay diferentes formas de cargar Lion Summit:

- **Cargue desde un tomacorriente de pared:** inserte el conector* compatible con Anderson™ en el puerto de entrada de Lion Summit (conexión de rojo a rojo y de negro a negro). Enchufe el otro extremo del cargador de pared en un tomacorriente de pared.
- **Cargue desde nuestro panel solar de 12 V 100 W:** inserte el extremo compatible con Anderson™ de el cable más largo desde la parte posterior del panel solar hasta el puerto de entrada en la parte frontal del Lion Summit (conexión de rojo a rojo y de negro a negro). El panel solar debe estar afuera bajo la luz solar directa.
- **Cargue desde nuestro panel solar plegable de 12 V 50 W: (El panel de 50 W tiene una conexión de cable cilíndrico, pero incluye un adaptador compatible con Anderson™).** Conecte el adaptador al conector cilíndrico del cable del panel solar y luego coloque el extremo compatible con Anderson™ en el puerto de entrada en el frente de Lion Summit (rojo con rojo y negro con negro). El panel solar debe estar afuera bajo la luz solar directa.
- **Opcional: también puede conectar uno (o más) de nuestros cables de extensión de 25' compatibles con Anderson™ entre el panel solar y Lion Summit.** EEI extremo del cable con la advertencia / etiqueta blanca adjunta debe conectarse al panel solar / cable del panel solar. El otro extremo va al puerto de entrada en Lion Summit.
- **Cargue desde el enchufe de 12 V de un vehículo:** inserte el extremo del conector compatible con Anderson™ (rojo/negro) del cable de 12 V en el puerto de entrada del Lion Summit. Enchufe el extremo de 12 V del cable en el enchufe de 12 V del vehículo. El vehículo debe estar funcionando para que los 12V carguen el Lion Summit.

*Anderson™ es una marca registrada de Anderson Power Products.

Preguntas frecuentes

P: ¿Qué dispositivos puede alimentar Lion Summit?

R: Lion Summit puede alimentar varias cosas, como luces, teléfonos celulares, computadoras portátiles y más. El consumo de energía de cada dispositivo se mide en vatios. Lion Summit puede alimentar dispositivos que necesitan un total de 530 W o menos. Puede alimentar varios dispositivos al mismo tiempo si el uso total de energía para todos los dispositivos combinados es de 530 W o menos.

P: ¿Cuánto tiempo durará Lion Summit o ejecutará / energizará un dispositivo?

R: Depende del consumo de energía o del uso de vatios del dispositivo; cuanto menor sea el vataje del dispositivo, más tiempo podrá alimentarlo Lion Summit. Para estimar cuánto tiempo el Lion Summit podría alimentar un dispositivo específico, use esta fórmula: Watt Hours / Watts = Tiempo de funcionamiento estimado. Por ejemplo, si el dispositivo que desea alimentar usa 45 W y Lion Summit tiene una capacidad de 665 Wh, entonces el tiempo de funcionamiento estimado sería: 665 Wh dividido por 45 W = 14,78 horas.

P: ¿Está regulado el enchufe DC 12V?

R: El Lion Summit no tiene una salida de DC de 12 V regulada. Sin embargo, dado que este modelo usa LiFePO4, en lugar de NMC, esto brinda una salida de 12.8V más estable y consistente.

P: ¿Qué pasa si olvido apagar Lion Summit después de usarlo?

R: El Lion Summit se apagará automáticamente para conservar energía si no hay nada en uso/ consumo de energía.

P: ¿Tengo que usar paneles solares de Lion Energy?

R: Puede usar otros paneles solares de 12 V con Lion Summit. Sin embargo, si los paneles no tienen una conexión compatible con Anderson™ en el cable del panel solar, deberá buscar y comprar un adaptador con un conector Anderson™.

P: ¿Cuántos paneles solares puedo conectar al Lion Summit para que se cargue más rápido?

RR: El controlador de carga solar MPPT de Lion Summit está clasificado para 150 W de energía solar. Si utiliza varios paneles solares, recomendamos utilizar paneles de 12 V con el mismo vataje (100 W+100 W o 50 W+50 W+50 W, no 100 W+50 W).

Solución de problemas

P: ¿Qué sucede si no puedo alimentar mis dispositivos de AC o DC después de encender Lion Summit?

R: Asegúrese de que el botón de encendido/apagado de AC o DC esté encendido. Recuerde, los dispositivos que requieren más de 530 W no pueden ser alimentados por Lion Summit.

P: ¿Por qué no puedo activar mi Lion Summit?

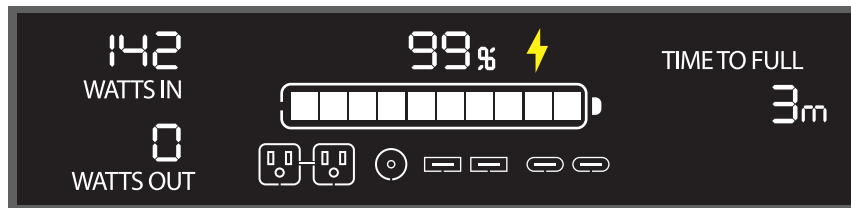
R: Si no ha utilizado Lion Summit durante algún tiempo, es posible que deba recargar Lion Summit antes de poder utilizarlo.

P: El cargador de pared se calienta mientras carga el Lion Summit. ¿Hay algún problema?

R: El cargador de pared para Lion Summit tiene certificación de seguridad. El cargador puede calentarse, esto es normal. Tenga el cargador al aire libre y no debajo de mantas o ropa.

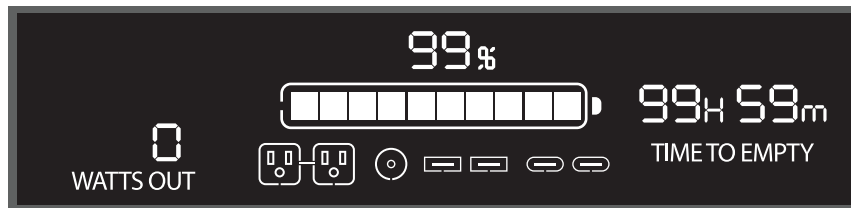
malmente la pantalla Lion Summit cuando Lion Summit se está cargando?

R: Al cargar el Lion Summit con DC o AC o con paneles solares bajo la luz directa del sol, la pantalla puede mostrar la siguiente información:



P: ¿Qué muestra la pantalla Lion Summit mientras se carga con poca o poca luz solar?

R: Cuando carga el Lion Summit con un panel solar bajo una luz solar muy débil, la pantalla puede mostrar:

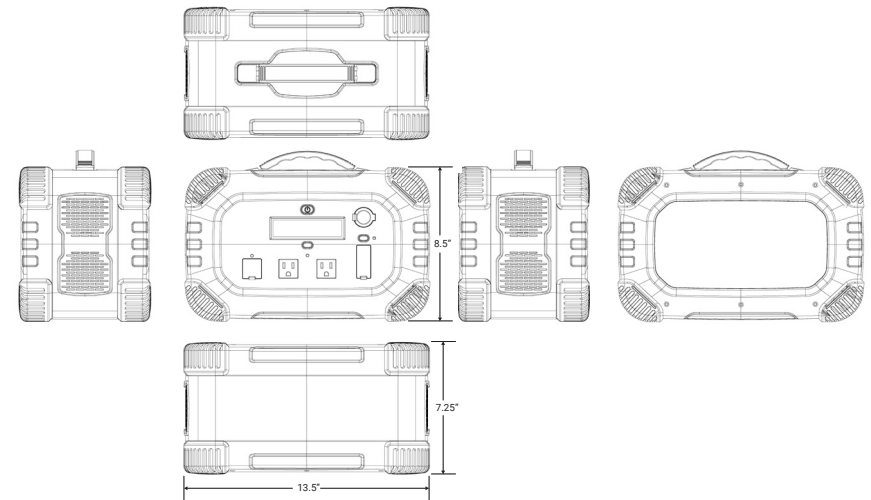


Cuando la energía solar es demasiado débil para cargar el Lion Summit, la pantalla no mostrará ningún watt. Los días nublados, la sombra y la luz del sol a través de una ventana proporcionan una entrada demasiado baja, esto es normal. Es posible que deba cargar con luz solar más intensa o con alimentación de AC o DC.

Seguridad de la batería

El Lion Summit incluye protecciones contra sobrevoltaje, bajo voltaje, sobrecarga, cortocircuito y sobretemperatura. También tiene alarmas visuales y de audio incorporadas. Por ejemplo, Lion Summit emitirá un pitido y tendrá una luz roja parpadeante en la pantalla si se conecta un dispositivo que consume demasiada energía, o si Lion Summit se calienta demasiado y necesita enfriarse. Esperar y/o apagar y volver a encender Lion Summit resolverá la mayoría de los errores. El circuito de sobrecarga protegerá contra daños al Lion Summit y servirá como medida de seguridad para cualquier persona que use el Lion Summit.

Diseño Mecánico (pulgadas)



Método de carga	Tiempo de carga
Paneles solares de 50W	El tiempo de carga depende de la franqueza y el brillo de la luz solar, generalmente de 8 a 12 horas
Paneles solares de 100W	El tiempo de carga depende de la franqueza y el brillo de la luz solar, generalmente de 4 a 6 horas
Cargador de pared	4-5 horas
Zócalo de 12V DC	4.5-7 horas

Especificaciones técnicas

Voltaje de entrada de carga de AC

1	Rango de voltaje de entrada	100 ~ 240V
---	-----------------------------	------------

Entrada de carga solar

1	Rango de voltaje de entrada	13 ~ 22V
2	Corriente de entrada máxima	10A
3	Potencia de entrada	150 máx

2x USB-A Producción

1	Tensión de salida	5V
2	Corriente de salida	2.4A (máx)
3	Protección contra sobrecorriente de salida	2.7A
4	Protección contra cortocircuitos de salida y Recuperación de carga de desconexión	Sí

2x USB-C Producción (QC3.0 y PD)

1	Rango de voltaje de salida	5V / 9V / 12V / 15V / 20V
2	Corriente de salida	3A / 3A / 3A / 3A / 3A
3	Protección contra sobrecorriente de salida	3A
4	Protección contra cortocircuitos de salida y Recuperación de carga de desconexión	Sí

12V Enchufe

1	Salida máxima	12V, 10A
2	Protección contra cortocircuitos de salida de DC	Sí (desconectar la recuperación de carga)
3	Protección contra sobrecorriente de salida de DC	Sí (desconectar la recuperación de carga)

Especificaciones técnicas

Tipo de Batería

1	Fosfato de hierro y litio	LiFePO4
---	---------------------------	---------

Fuente de alimentación del inversor

1	Tensión / frecuencia de salida nominal	120V AC 60Hz
2	Potencia nominal de salida	530W Continuo
3	Eficiencia del inversor	90%
4	Onda de salida	Onda sinusoidal pura

Ambiente

1	Temperatura de trabajo	32°F - 104°F
2	Temperatura de almacenamiento	2 Temperatura ambiente (14°F - 113°F)
3	Método de enfriamiento	Activo (ventiladores alimentados)

Peso

1	Peso	18 libras
---	------	-----------

Conectividad

1	Bluetooth	Visitar - myapp.LionEnergy.com
---	-----------	--

Instrucciones de mantenimiento

- Cargue la unidad después de cada uso para asegurarse de tener energía cuando la necesite.
- Nunca descargue completamente la unidad para ayudar a mantener la vida útil de la batería
- Utilice un paño seco para limpiar la suciedad u otros residuos de la superficie de la unidad y cables de batería
- No abra la unidad ya que no hay partes reparables por el usuario. Cualquier servicio debe ser realizado por personal de Lion Energy.

Instrucciones de almacenamiento

- Cargue la unidad a su máxima capacidad antes de guardarla.
- Guarde esta unidad a temperatura ambiente. Para obtener los mejores resultados, use y recargue al menos una vez cada 6 meses si no se usa con frecuencia. Esto ayuda a mantener la vida útil de la batería de la unidad.

Reciclaje

Este artículo contiene una batería de fosfato de hierro y litio, recíclela correctamente.

Derechos de autor

Este material tiene derechos de autor bajo la Ley Federal de EE.UU. Ninguna parte de esta publicación es reproducible, de ninguna forma o por ningún medio, electrónico o mecánico, incluidas las fotocopias, sin el permiso expreso por escrito de Lion Energy.

Lion Energy se reserva todos los derechos para realizar modificaciones técnicas sin previo aviso y para mejorar las máquinas y los estándares de seguridad.

Este manual tiene el propósito de proporcionar información, especificaciones e instrucciones de uso. Todas las declaraciones, información y sugerencias contenidas en este manual no constituyen ninguna garantía expresa o implícita.

Reclamos de garantía

Para problemas de garantía, comuníquese con Servicio al Cliente al 1-385-375-8191. No envíe su unidad hasta que reciba un número de autorización de devolución de mercancía (RMA). Lion Energy no será responsable de ningún daño de envío o manejo. A menudo, los reemplazos no se envían hasta que la unidad original está en camino a nuestro almacén.

Garantía limitada

Esta unidad viene con una garantía limitada de un año por defectos en materiales y mano de obra. Guarde su comprobante de compra, como un recibo fechado, para mostrar el período de garantía. Sin un recibo con fecha, usaremos el código con fecha de fabricación. Lion Energy reparará o reemplazará la unidad a su discreción.

Esta garantía se invalida si ocurre alguna de las siguientes, pero no se limita a:

- No seguir las instrucciones del Manual del Usuario.
- Uso accidental o irrazonable, mal uso o mal manejo.
- Sobrecarga o sobrecarga.
- Almacenamiento extendido sin recargar.
- Reparaciones por una persona no autorizada o cualquier modificación.

Esta garantía sustituye a otras garantías expresas. Lion Energy no será responsable por daños consecuentes o incidentales. Los cambios o modificaciones no aprobados expresamente por Lion Energy podrían anular la autoridad del usuario para ejecutar este dispositivo.

NOTA: Este equipo ha sido probado y se encontró que cumple con los límites para un dispositivo digital de Clase B, de conformidad con la parte 15 de las Reglas de la FCC. La operación está sujeta a las siguientes dos condiciones:

(1) Este dispositivo puede causar interferencia dañina y (2) este dispositivo debe aceptar cualquier interferencia recibida, incluida la interferencia que pueda causar un funcionamiento no deseado. Estos límites están diseñados para brindar una protección razonable contra interferencias dañinas en una instalación residencial. Este equipo genera, usa y puede irradiar energía de radiofrecuencia y, si no se instala y usa de acuerdo con las instrucciones, puede causar interferencias dañinas en las comunicaciones por radio. Sin embargo, no hay garantía de que no se produzcan interferencias en una instalación en particular. Si este equipo causa interferencias dañinas en la recepción de radio o televisión, lo cual puede decidirse apagando y encendiendo el equipo, se recomienda al usuario que intente corregir la interferencia mediante una o más de las siguientes medidas:

- Reorientar o reubicar la antena receptora.
- Aumente la separación entre el equipo y el receptor.
- Conectar el equipo a una toma de un circuito diferente al del receptor.
- Consulte al distribuidor o a un técnico experimentado en radio / TV para obtener ayuda.

Dirección de Servicio

Lion Energy
735 S. Auto Mall Drive Suite 200
American Fork, UT 84003

Sitio: www.LionEnergy.com
Correo electrónico: info@lionenergy.com
Teléfono: 1-385-375-8191



LISEZ CE MANUEL DANS SON INTÉGRALITÉ AVANT D'UTILISER L'APPAREIL.

Cette unité portable fournit une alimentation électrique sûre, silencieuse et renouvelable. Cette unité d'alimentation est utile en cas d'urgence, ainsi que pour le travail et les loisirs. Il est très important de lire ce manuel d'utilisation dans son intégralité avant d'utiliser le produit.

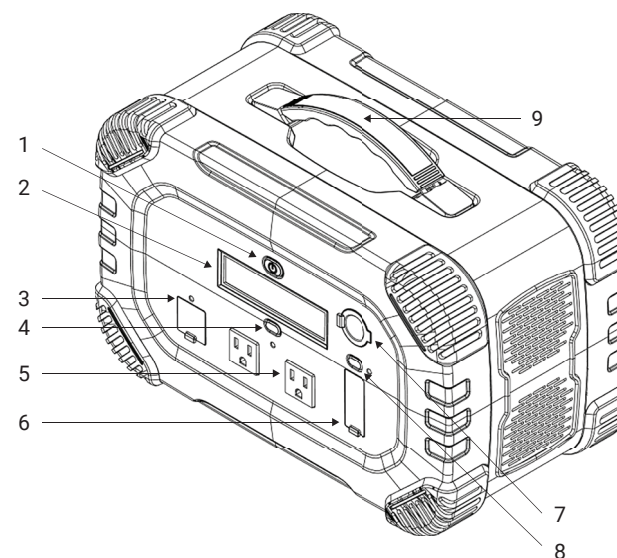
Lisez attentivement et respectez scrupuleusement ces règles de sécurité :

- Pour de meilleures performances, chargez complètement l'appareil avant de l'utiliser.
- N'utilisez pas l'appareil comme s'il s'agissait d'un jouet.
- N'insérez pas les doigts ou les mains dans l'une des prises de l'unité.
- Utilisez uniquement les accessoires Lion Energy™ recommandés.
- N'utilisez pas l'appareil si les câbles ou les adaptateurs de charge présentent des signes d'endommagement.
- N'essayez jamais de modifier l'appareil, les câbles ou les accessoires.
- Ne laissez pas l'eau entrer en contact avec cet appareil ou ne l'immergez pas dans l'eau.
- Ne faites pas fonctionner cet appareil en présence de liquides, gaz ou poussières inflammables.
- N'exposez pas ou ne rangez pas cet appareil à une chaleur excessive (supérieure à 115 °F).
- Ne laissez pas l'appareil à la lumière directe du soleil à des températures plus élevées.
- Stockez l'appareil à des températures de 14° à 115° F (idéalement, 32°-86° F)
- Chargez à des températures allant de 32° à 115° F.
- Ne chargez jamais un appareil gelé. Laissez-le se réchauffer au-dessus du point de congélation avant de le charger.
- Ne laissez jamais l'appareil sans surveillance pendant le chargement.

Contenu du colis

Lion Summit: 1 pièce
Câble de charge DC: 1 pièce
Adaptateur de chargeur mural (150W): 1 pièce

Identification des pièces



	Part	Description
1	interrupteur d'alimentation principal	Allume ou éteint l'affichage de l'appareil en appuyant et en maintenant enfoncé pendant plusieurs secondes
2	Écran ACL	Affiche le temps de charge / décharge à un intervalle de 0,1 heure. 10 bars = complètement chargé
3	Port de charge à 3 entrées	Où le chargeur solaire, automatique et mural est branché pour charger l'unité
4	Bouton marche / arrêt de la sortie AC	Active ou désactive les ports AC
5	Sortie AC	Fournit la sortie AC de la prise
6	sorties USB-A, USB-C et USB-PD	Charge le périphérique USB
7	Prise de sortie 12 V	Fournit une alimentation DC à partir de la prise
8	Bouton marche / arrêt de la sortie DC	Active ou désactive les ports DC
9	Poignée de transport	Utilisé pour transporter l'unité

Comment utiliser le Lion Summit

Activer ou désactiver le Lion Summit

Suivez ces étapes pour allumer ou éteindre l'appareil :

1. Appuyez et maintenez enfoncé l'interrupteur d'alimentation principal pendant 1 à 2 secondes pour allumer l'appareil. La l'affichage s'allumera.
2. Appuyez sur le bouton d'alimentation DC ou AC pour allumer les ports / prises et le Lion Summit alimentera la prise DC ou AC

Lorsque vous arrêtez d'utiliser l'énergie de la prise de sortie DC ou AC, éteignez le bouton marche / arrêt correspondant pour économiser l'énergie dans le Lion Summit.

Comment charger l'appareil

Il existe différentes manières de recharger le Lion Summit :

- **Charge à partir d'une prise murale:** insérez le connecteur compatible Anderson™* dans le port d'entrée de l'unité (connexion rouge à rouge et noir à noir). Branchez l'autre extrémité du chargeur mural dans une prise murale.
- **Charge à partir de notre panneau solaire 12V 100W:** Insérez l'extrémité compatible Anderson™ du cordon le plus long de l'arrière du panneau solaire au port d'entrée à l'avant de l'appareil (connexion rouge à rouge et noir à noir). Le panneau solaire doit être à l'extérieur en plein soleil.
- **Charge à partir de notre panneau solaire pliable 12V 50W:** (le panneau 50W est doté d'un cordon de raccordement, mais il comprend un adaptateur compatible Anderson™.) Fixez l'adaptateur au connecteur cylindrique du cordon du panneau solaire, puis placez l'extrémité compatible Anderson™ dans le port d'entrée à l'avant du Lion Summit (rouge sur rouge et noir sur noir). Le panneau solaire doit être à l'extérieur en plein soleil.
- **Facultatif – Vous pouvez également attacher un (ou plusieurs) de nos câbles d'extension compatibles Anderson™ de 25' entre le panneau solaire et le Lion Summit.** L'extrémité du câble avec l'étiquette d'avertissement / blanche attachée doit se connecter au panneau solaire / cordon panneau solaire. L'autre extrémité va dans le port d'entrée du Lion Summit.
- **Charge à partir de la prise 12V d'un véhicule:** Insérez l'extrémité du connecteur compatible Anderson™ (rouge / noir) du câble 12V dans le port d'entrée de l'appareil. Branchez l'extrémité 12V du câble dans la prise 12V du véhicule. Le véhicule doit fonctionner pour que le 12V recharge le Lion Summit.

*Anderson™ est une marque déposée d'Anderson Power Products.

Questions fréquemment posées

Q: Quels appareils le Lion Summit peut-il alimenter?

A: Le Lion Summit peut alimenter divers éléments comme les lumières, les téléphones cellulaires et les ordinateurs portables. La consommation d'énergie de chaque appareil est mesurée en watts. Le Lion Summit peut alimenter les appareils qui consomment un maximum de 530 W. Il peut alimenter plusieurs appareils en même temps si la consommation totale d'énergie pour tous les appareils combinés est égale ou inférieure à 530 W.

Q: Combien de temps le Lion Summit durera-t-il ou fera-t-il fonctionner / alimenter un appareil?

A: Cela dépend de la consommation d'énergie ou de la consommation en watts de l'appareil; plus la puissance de l'appareil est basse, plus le Lion Summit peut l'alimenter longtemps. Pour estimer la durée d'alimentation potentielle par le Lion Summit d'un appareil spécifique, utilisez cette formule: Watt Heures / Watts = Durée d'exécution estimée. Par exemple, si l'appareil que vous souhaitez alimenter utilise 45W et que le Lion Summit a une capacité de 665Wh, alors la durée de fonctionnement estimée sera: 665Wh divisé par 45W = 14,78 heures.

Q: La prise DC 12V est-elle régulée?

A: Le Lion Summit n'a pas de sortie 12V DC régulée. Cependant, puisque ce le modèle utilise LiFePO4, au lieu de NMC, cela donne un courant de sortie de 12.8V plus stable et de manière plus consistante.

Q: Que se passe-t-il si j'oublie d'éteindre le Lion Summit après l'avoir utilisé?

A: Le Lion Summit s'éteindra automatiquement pour économiser de l'énergie s'il n'y a rien en cours d'utilisation / pas de prélèvement d'énergie.

Q: Dois-je utiliser les panneaux solaires Lion Energy?

A: Vous pouvez utiliser d'autres panneaux solaires 12V avec le Lion Summit. Cependant, si les panneaux n'ont pas de connexion compatible Anderson™ sur le câble du panneau solaire, vous devrez trouver et acheter un adaptateur avec un connecteur Anderson™.

Q: Combien de panneaux solaires puis-je connecter au Lion Summit pour qu'il se charge rapidement?

A: Le contrôleur de charge solaire MPPT du Lion Summit est conçu pour 150 W d'énergie solaire. Si vous utilisez plusieurs panneaux solaires, nous vous recommandons d'utiliser des panneaux 12 V avec la même puissance (100 W + 100 W ou 50 W + 50 W + 50 W, et non 100 W + 50 W).

Dépannage

Q: Que se passe-t-il si je ne peux pas alimenter mes appareils AC ou DC après avoir allumé le Lion Summit?

A: Assurez-vous que le bouton marche / arrêt AC ou DC est enfoncé / allumé. N'oubliez pas que les appareils nécessitant plus de 530 W ne peuvent pas être alimentés par le Lion Summit.

Q: Pourquoi ne puis-je pas activer mon Lion Summit?

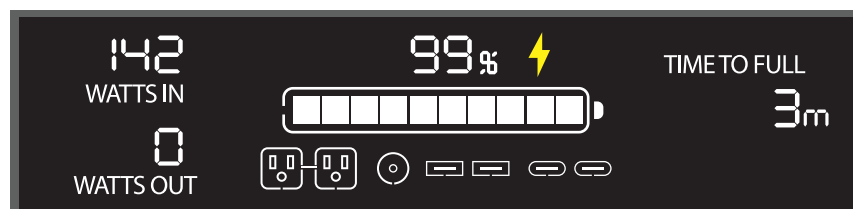
A: Si vous n'avez pas utilisé le Lion Summit depuis un certain temps, vous devrez peut-être le recharger avant de pouvoir l'utiliser. (Voir la section #3 Comment charger l'unité)

Q: Le chargeur mural chauffe pendant le chargement du Lion Summit. Y a-t-il quelque chose qui ne va pas?

A: Le chargeur mural du Lion Summit est certifié en matière de sécurité. Le chargeur peut chauffer, c'est normal. Veuillez placer le chargeur à l'air libre et non sous des couvertures ou des vêtements.

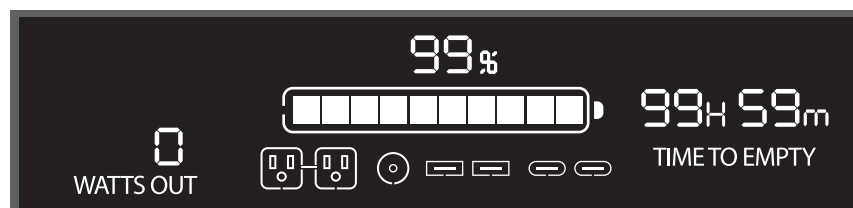
Q: Qu'est-ce que l'écran Lion Summit affiche normalement lorsque le Lion Summit est en charge?

A: Lorsque vous chargez le Lion Summit en courant continu ou alternatif ou en plein soleil, l'écran peut afficher les informations suivantes :



Q: Que montre l'écran Lion Summit lorsqu'il est chargé avec peu ou pas de lumière solaire?

A: Lorsque vous chargez le Lion Summit avec un panneau solaire sous un ensoleillement très faible, l'écran peut afficher :

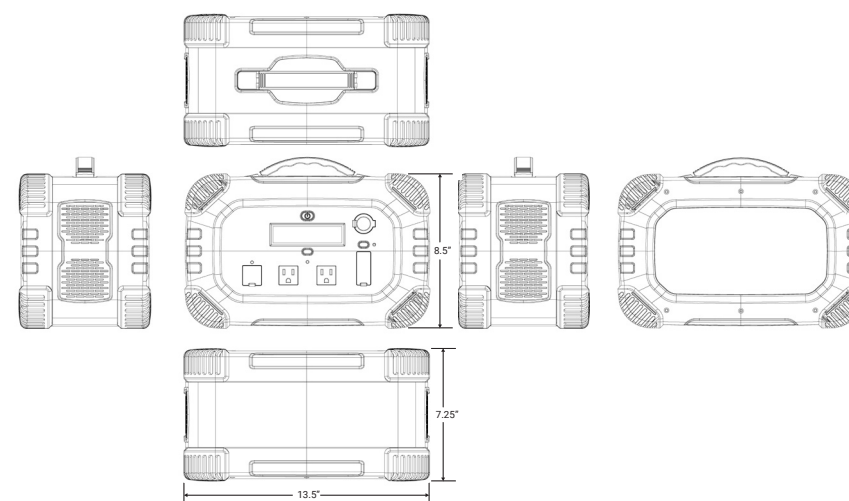


Lorsque l'énergie solaire est trop faible pour charger le Lion Summit, l'écran n'affiche aucun watt. Les jours nuageux, l'ombre et la lumière du soleil à travers une fenêtre fournissent une entrée trop faible, c'est normal. Vous devrez peut-être charger en plein soleil ou par alimentation AC ou DC.

Sécurité de la batterie

Le Lion Summit comprend des protections contre les surtensions, les basses tensions, les surcharges, les courts-circuits et les surchauffes. Il dispose également d'alarmes visuelles et sonores intégrées. Par exemple, le Lion Summit émettra un bip et aura une lumière rouge clignotante sur l'écran si un appareil qui consomme trop d'énergie est branché ou si le Lion Summit devient trop chaud et doit se refroidir. Attendre et / ou éteindre et rallumer le Lion Summit résoudra la plupart des erreurs. Le circuit de surcharge protégera contre les dommages à l'unité et servira de mesure de sécurité pour toute personne utilisant l'unité.

Conception mécanique (pouces)



Méthode de charge	Temps de charge
Panneau Solaire 50W	Le temps de charge dépend de la directivité et de la luminosité de la lumière du soleil, généralement de 8 à 12 heures
Panneau Solaire 100W	Le temps de charge dépend de la directivité et de la luminosité de la lumière du soleil, généralement de 4 à 6 heures
Chargeur mural	4-5 heures
Prise 12V DC	4.5-7 heures

Spécifications techniques

Tension d'entrée de charge AC

1	Plage de tension d'entrée	100 ~ 240V
---	---------------------------	------------

Entrée de charge solaire

1	Plage de tension d'entrée	13 ~ 22V
2	Courant d'entrée maximum	10A
3	Puissance d'entrée	150W

2 sorties USB-A

1	Tension de sortie	5V
2	Courant de sortie	2.4A (Max)
3	Protection contre les surintensités de sortie	2.7A
4	Protection contre les courts-circuits de sortie et Récupération de la charge de déconnexion	YES

2 sorties USB-C (QC3.0 et PD)

1	Plage de tension de sortie	5V / 9V / 12V / 15V / 20V
2	Courant de sortie	3A / 3A / 3A / 3A / 3A
3	Protection contre les surintensités de sortie	3A
4	Protection contre les courts-circuits de sortie et Récupération de la charge de déconnexion	YES

Prise 12V

1	Production maximale	12V, 10A
2	Protection contre les courts-circuits de sortie DC	Oui (récupération de charge de déconnexion)
3	Protection contre les surintensités de sortie DC	Oui (récupération de charge de déconnexion)

Spécifications techniques

Type de batterie

1	Phosphate de fer au lithium	LiFePO4
---	-----------------------------	---------

Alimentation de l'onduleur

1	Tension de sortie nominale / fréquence	120V AC 60Hz
2	Puissance de sortie nominale	530W continu
3	Efficacité de l'onduleur	90%
4	Onde de sortie	Onde sinusoïdale pure

Environnement

1	Température de fonctionnement	32°F - 104°F
2	Température de stockage	Température ambiante (14°F - 113°F)
3	Méthode de refroidissement	Actif (ventilateurs alimentés)

Lester

1	Lester	18 LBS
---	--------	--------

Connectivité

1	Bluetooth	Visite - myapp.LionEnergy.com
---	-----------	---

Consignes d'entretien

- Chargez l'unité après chaque utilisation pour vous assurer d'avoir de l'énergie chaque fois que vous en avez besoin.
- Ne déchargez jamais complètement l'appareil pour aider à maintenir la durée de vie de la batterie
- Utilisez un chiffon sec pour essuyer toute saleté ou autre débris de la surface de l'appareil et cordons de batterie.
- N'ouvrez pas l'appareil car il ne contient aucune pièce réparable par l'utilisateur. Tout entretien doit être effectué par le personnel de Lion Energy.

Instructions de stockage

- Chargez l'appareil à pleine capacité avant de le ranger.
- Stockez cet appareil à température ambiante. Pour de meilleurs résultats, utilisez et rechargez au moins une fois tous les 6 mois si vous ne l'utilisez pas fréquemment. Cela aide à maintenir la durée de vie de la batterie de l'appareil.

Recyclage

Cet article contient une batterie au lithium fer phosphate, veuillez la recycler correctement.

droits d'auteur

Ce matériel est protégé par le droit d'auteur en vertu de la loi fédérale américaine. Aucune partie de cette publication ne peut être reproduite, sous quelque forme ou par quelque moyen que ce soit, électronique ou mécanique, y compris la photocopie, sans l'autorisation écrite expresse de Lion Energy. Lion Energy se réserve le droit d'apporter des modifications techniques sans préavis et d'améliorer les normes de sécurité et de la machine. Ce manuel a pour but de fournir des informations, des spécifications et des instructions d'utilisation. Toutes les déclarations, informations et suggestions contenues dans ce manuel ne constituent aucune garantie expresse ou implicite.

Réclamations de garantie

Pour les problèmes de garantie, contactez le service client au 1-385-375-8191. N'expédiez pas votre appareil tant que vous n'avez pas reçu un numéro d'autorisation de retour de marchandise (RMA). Lion Energy ne sera pas responsable des dommages d'expédition ou de manutention. Souvent, les remplacements ne sont pas envoyés tant que l'unité d'origine n'est pas en route vers notre entrepôt.

Garantie limitée

Cette unité est livrée avec une garantie limitée d'un an contre les défauts de matériaux et de fabrication. Conservez votre preuve d'achat, telle qu'un reçu daté, pour indiquer la période de garantie. Sans reçu daté, nous utiliserons le code de fabrication daté. Lion Energy réparera ou remplacera l'unité à sa discrétion.

Cette garantie est invalidée si l'un des événements suivants se produit, mais sans s'y limiter :

- Non-respect des instructions du manuel d'utilisation.
- Utilisation accidentelle ou déraisonnable, mauvaise utilisation ou mauvaise manipulation.
- Surcharge ou surcharge.
- Stockage prolongé sans recharge.
- Réparations par une personne non autorisée ou toute modification.

Cette garantie remplace les autres garanties exprimées. Lion Energy ne sera pas responsable des dommages consécutifs ou accessoires. Les changements ou modifications non expressément approuvés par Lion Energy peuvent annuler l'autorisation de l'utilisateur à faire fonctionner cet appareil.

REMARQUE : cet équipement a été testé et déclaré conforme aux limites d'un appareil numérique de classe B, conformément à la partie 15 des règles de la FCC. Le fonctionnement est soumis aux deux conditions suivantes :

(1) Cet appareil peut provoquer des interférences nuisibles et (2) cet appareil doit accepter toute interférence reçue, y compris les interférences susceptibles de provoquer un fonctionnement indésirable. Ces limites sont conçues pour fournir une protection raisonnable contre les interférences nuisibles dans une installation résidentielle. Cet équipement génère, utilise et peut émettre de l'énergie de radiofréquence et, s'il n'est pas installé et utilisé conformément aux instructions, peut causer des interférences nuisibles aux communications radio. Cependant, il n'y a aucune garantie que des interférences ne se produiront pas dans une installation particulière. Si cet équipement cause des interférences nuisibles à la réception radio ou télévision, ce qui peut être décidé en éteignant et en rallumant l'équipement, l'utilisateur est encouragé à essayer de corriger l'interférence par une ou plusieurs des mesures suivantes :

- Réorientez ou déplacez l'antenne de réception.
- Augmentez la distance entre l'équipement et le récepteur.
- Branchez l'équipement dans une prise sur un circuit différent de celui du récepteur.
- Consultez le revendeur ou un technicien radio / TV expérimenté pour obtenir de l'aide.

Adresse de service

Lion Energy
735 S. Auto Mall Drive Suite 200
American Fork, UT 84003

Website: www.LionEnergy.com
Courriel: info@lionenergy.com
Téléphone: 1-385-375-8191



LIONENERGY™

Warranty Information

Serial Number: _____

Purchase Date: _____



385.375.8191
Monday - Friday
9:00 AM - 5:00 PM MST



735 S. Auto Mall Drive
Suite 200
American Fork, UT 84003



info@lionenergy.com
www.LionEnergy.com

Energy Independence